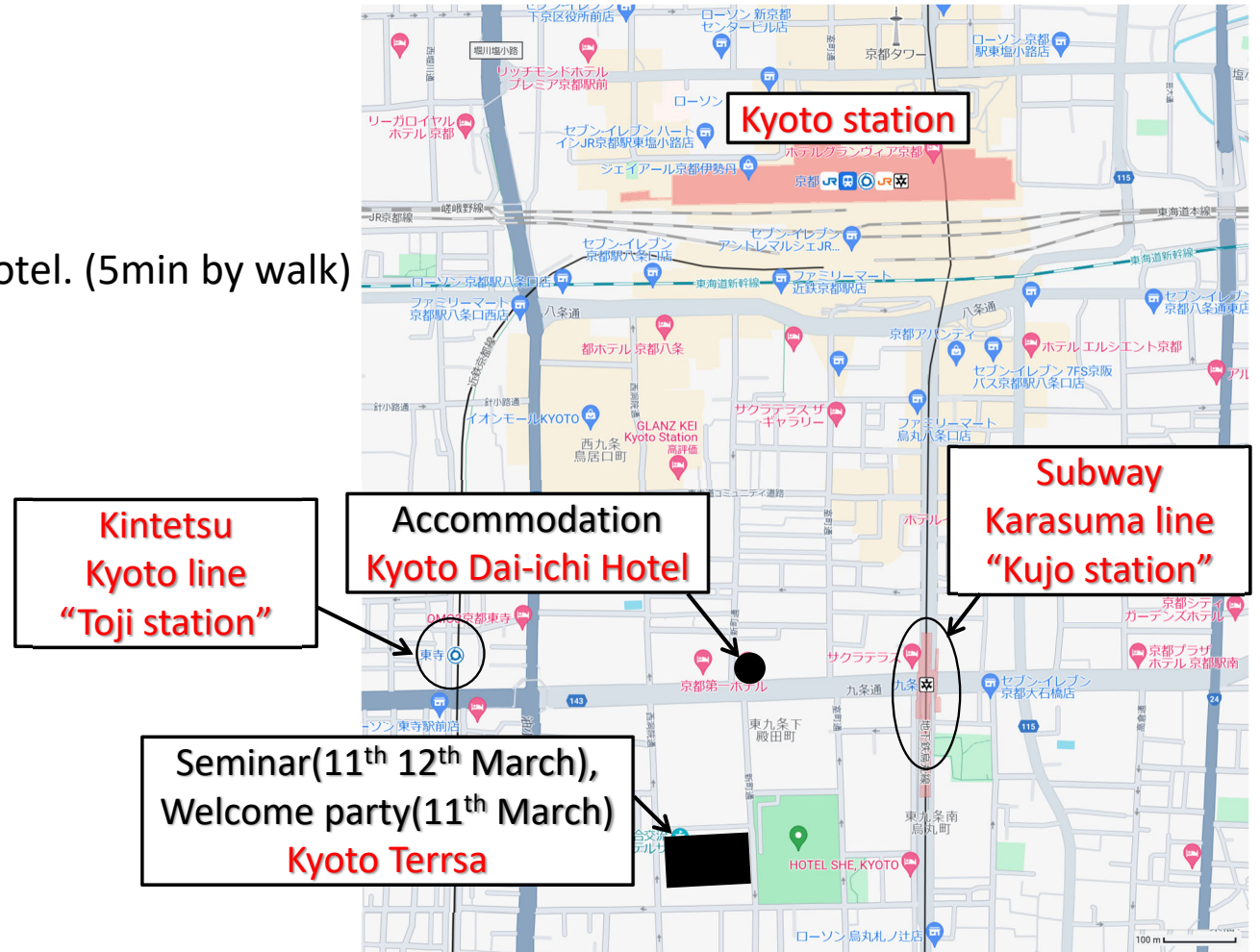


# Venue of the seminar

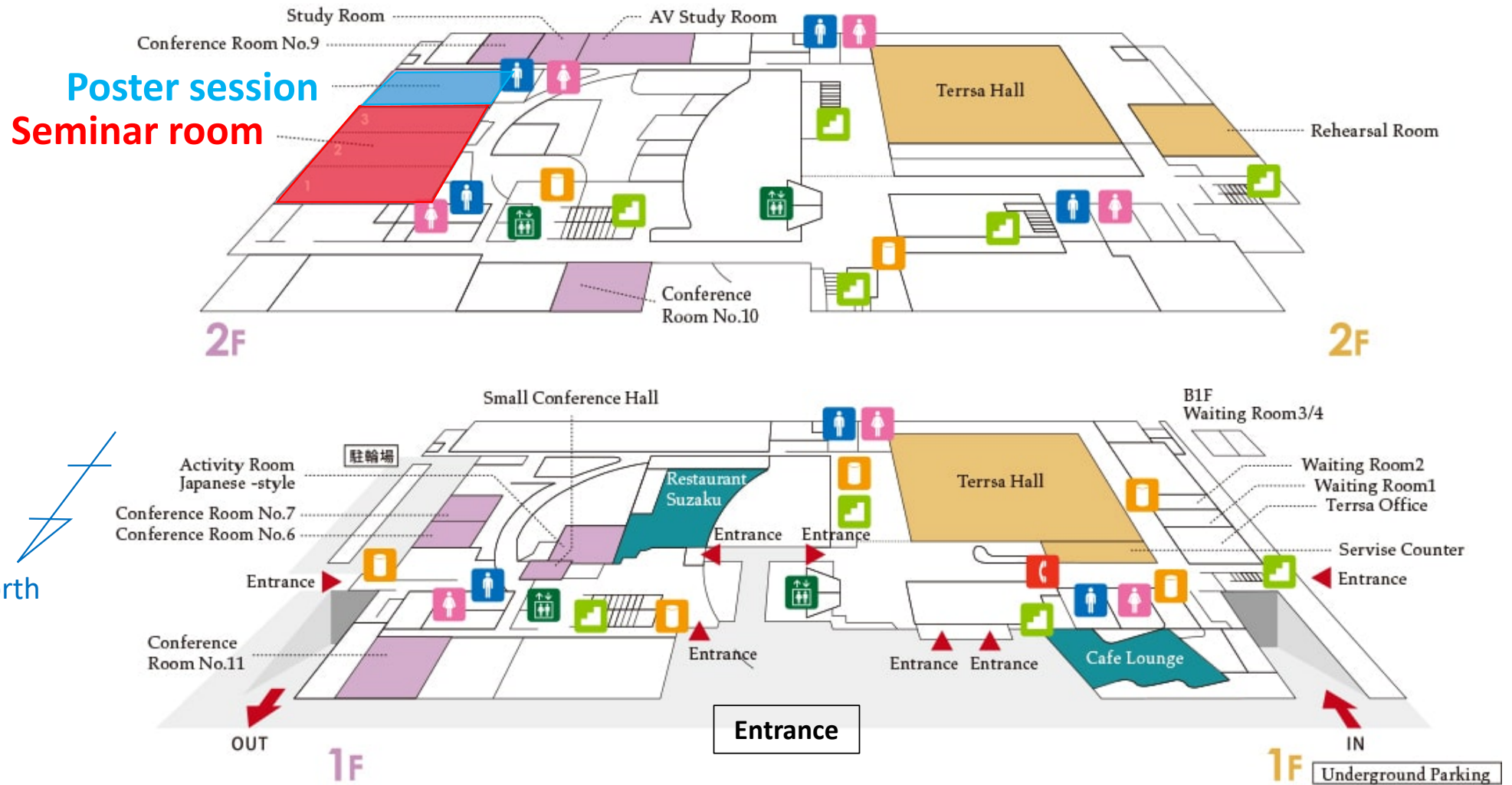
KYOTO TERRSA

<https://www.kyoto-terrsa.or.jp/>

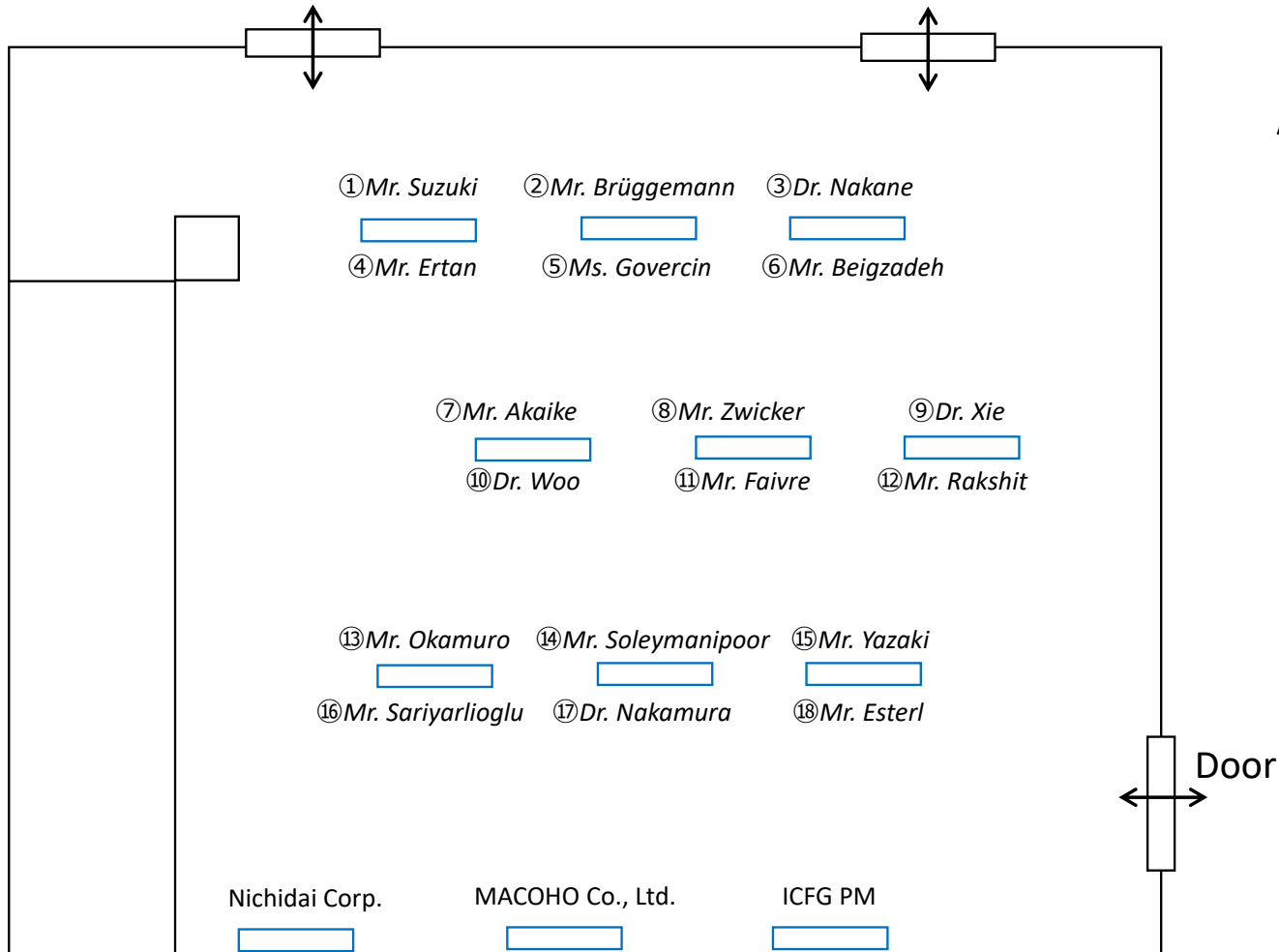
About 300m from Kyoto Dai-ichi Hotel. (5min by walk)



# Kyoto Terrsa



# Layout of the poster session



After lunch on the 12th March, please put up your poster on the board.

Pins and tape are available in the poster room.